

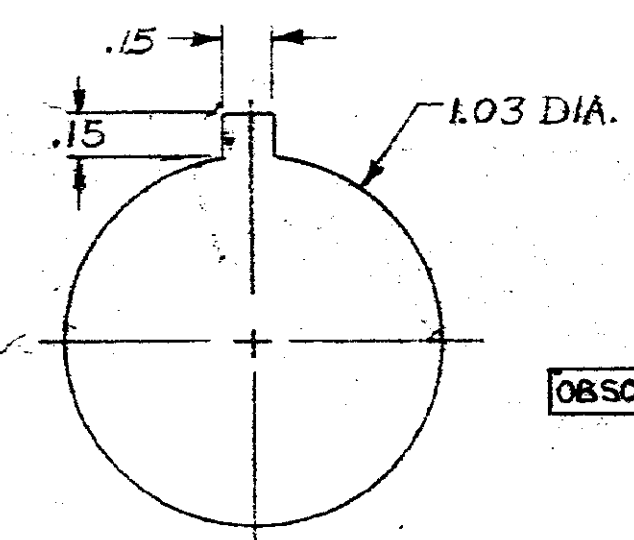
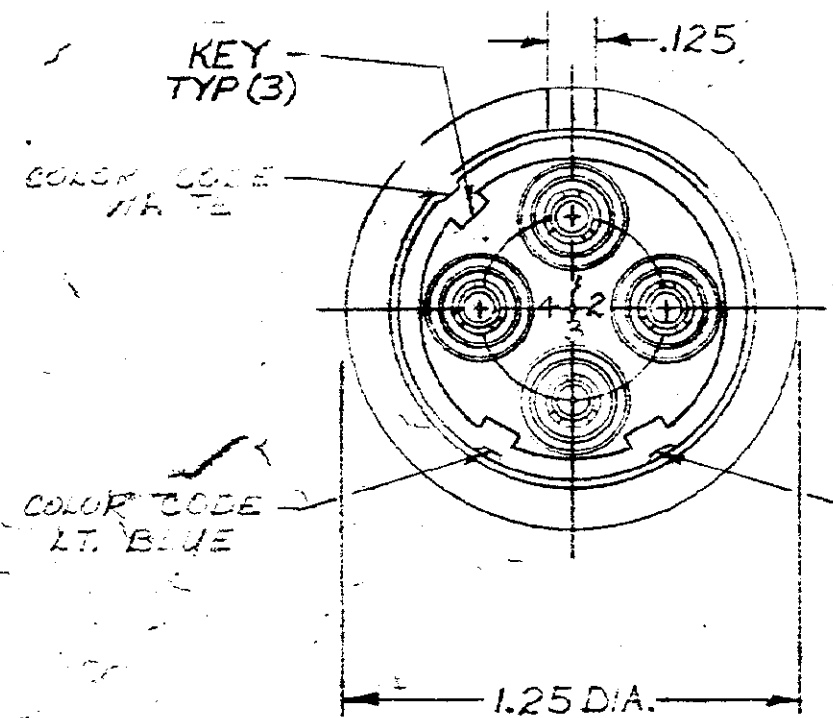
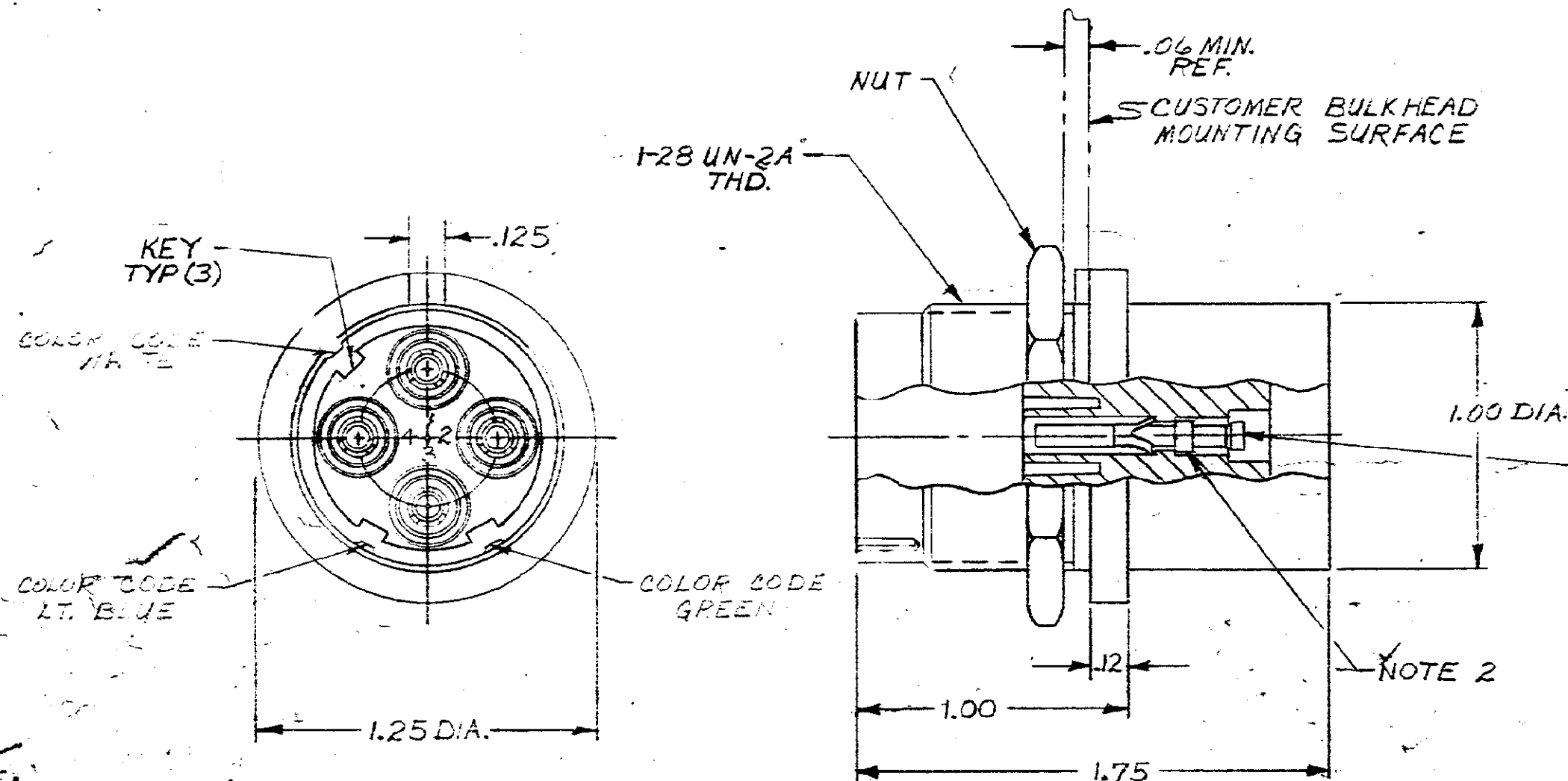
DRAWING MADE IN AMERICAN PROJECTION

© 1971 BY AMP INCORPORATED. ALL RIGHTS RESERVED. AMP PRODUCTS COVERED BY PATENTS AND/OR PATENTS PENDING.

Unpublished copy not to be reproduced or published without written permission of AMP Incorporated.

THIS PRODUCT DESIGNED AND BUILT BY AMP INCORPORATED. BY LICENSE TO USE THIS DESIGN IN CONSTRUCTION, AS TO THE USE OF OTHER OR FOREIGN PATENTS, THE USER IS ADVISED.

| REVISIONS | | | | |
|-----------|-----|---|-----------|------------|
| ZONE | LTR | DESCRIPTION | DATE | APPROVED |
| | E | REV. & REDRAWN WAS "B" SIZE | 7-24-71 | M.P. |
| | F | REV. NOTE 2 & POTTING MATERIAL | 8-24-71 | M.P. |
| | G | ADDED COLOR CODE DELETED PORTION OF THD. 2, 8 | 5-17-72 | M.P. |
| | H | REV. NOTE 2 ADDED 2 | | M.P. |
| | J | ADDED 3 | 2-26-76 | M.P. |
| | K | ADDED -4, -5, -6 | 6-30-77 | M.P. |
| | L | REV. PER E.C.N. 81667 | 2-26-78 | M.P. |
| | M | ADDED -7 | 6-10-79 | JG |
| | N | OBSOLETE -3 | ECN 53615 | 11-5-86 R8 |



CUSTOMER TO ATTACH LEADS & PROTECT AGAINST APC-OVER & BREAKDOWN BY POTTING, SOLETS TO BE COATED WITH RTV 21732 AND FILLED IN CAVITIES, AFTER CURING FILL BACK END OF RECEPTACLE WITH RTV 21

- NOTE:
1. CAVITY TO ACCEPT AMP SOCKETS, TYPE II 516GA RECEPTACLE IS LOADED WITH SOCKETS, WHEN SHIPPED TO REMOVE SOCKETS, USE AMP EXTRACTION TOOL
 2. TYPE II SOCKETS WILL ACCEPT (1) 22 AWG STRANDED WIRE, GOLD PLATED PER MIL-G-45204 TYPE II (2) 25 AWG THINNESS
 3. RECEPTACLE WILL WITH STAND WITHOUT BREAKDOWN 27 KV DC PIN TO PIN & 27 KV DC PIN TO GRD. WHEN MATED WITH 859526, 859537 OR 859530.
 4. MARKING TO BE WHITE
 5. TYPE II SOCKETS WILL ACCEPT (1) 18 AWG OR (2) 18 AWG STRANDED WIRE
 6. TYPE II SOCKETS TO ACCEPT ONE (1) 14 AWG STRANDED WIRE
 7. SAME AS 859526-2, EXCEPT LESS SOCKETS.

| AMP. P. N. | WIRE SIZE RANGE | HAND. TOOL | COLOR CODING |
|--------------------------|-----------------|------------|--------------|
| 859526-1 | 20, 22, 24 | 45099 | YES |
| 859526-2 | 16, 18 | 45098 | YES |
| OBSOLETE 859526-3 | 14 | 45098 | YES |
| 859526-4 | 20, 22, 24 | 45099 | NO |
| 859526-5 | 16, 18 | 45098 | NO |
| 859526-6 | 14 | 45099 | NO |
| 859526-7 | | | YES |

| | | | | |
|---|------------|--|----------------------------------|-------------------|
| ITEM NO. | DWG. NO. | PART OR IDENTIFYING NO. | NOMENCLATURE OR DESCRIPTION | SYMBOL |
| | | | 4 CAVITY FLANGED RECEPTACLE H.V. | LGH |
| <p>UNLESS OTHERWISE SPECIFIED: DIMENSIONS ARE IN INCHES TOLERANCES: .00 ± .02 ANGLES = .000 ± .015</p> <p>MATERIAL: MOLDED PLASTIC</p> <p>FINISH: BLACK</p> | | | | |
| <p>CONTRACT NO. DR L. GEIB - 71</p> <p>CHK. APPD. M. GARDNER 2-15-71</p> | | <p>AMP INCORPORATED CAPITOL DIVISION ELIZABETHTOWN, PENNSYLVANIA</p> | | |
| <p>DSGN APPD. OTHER APPD.</p> | | <p>SIZE C</p> <p>CODE IDENT NO. 00773</p> | <p>NUMBER 859526</p> | <p>SCALE 10:1</p> |
| NEXT ASSY | FINAL ASSY | NEXT ASSY | USER ON. | |
| QTY REQD | | APPLICATION | | |